



AVR072: Accessing 16-bit I/O Registers

Features

- Routines for Accessing 16-bits I/O Registers
- Macros Included for AVR- and IAR Assembler

Description

All mid- and high-range AVR devices include a 16-bit timer and some also include a 10-bit A/D converter. These I/O modules have 16-bit registers that can be accessed from the AVR core using the *in* and *out* instructions. Since the AVR microcontroller has an 8-bit I/O bus

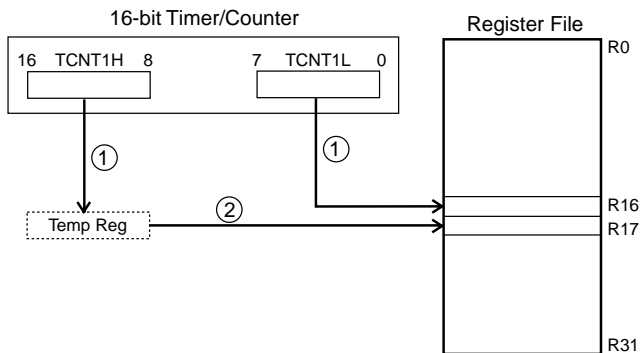
the access to the I/O register must be performed in 2 instruction cycles. An interrupt can occur between the instructions. If the interrupt function accesses the same resources (16-bit timer or ADC) the 16-bit I/O register access must be made an atomic operation, i.e. an operation that cannot be interrupted.

I/O modules with 16-bit registers include a temporary register for the high byte (bit 15 to 8). Note that the 16-bit timer (timer 1) has only one temporary register that is shared between all it's 16-bit register pairs. A 16-bit I/O read is normally done like this:

```
Cycle 1:   in  r16, TCNT1L           ;Reading low byte into r16,this
                                     triggers the high byte to be latched
                                     in the temporary shadow register.

Cycle 2:   in  r17, TCNT1H           ;Reading high byte from the temporary
                                     register.
```

Figure 1. 16-bit I/O Register Read



Note: Circled numbers indicate cycle number.

If an interrupt occurs between the two instructions for any of the operations, and the interrupt handler access any of the timer 1's low bytes, the temporary

register might change it's value. Returning from the interrupt the AVR core now reads the corrupted value into register r17.

8-bit AVR[®]
Microcontroller

Application
Note



A 16-bit I/O write is done as follow:

```

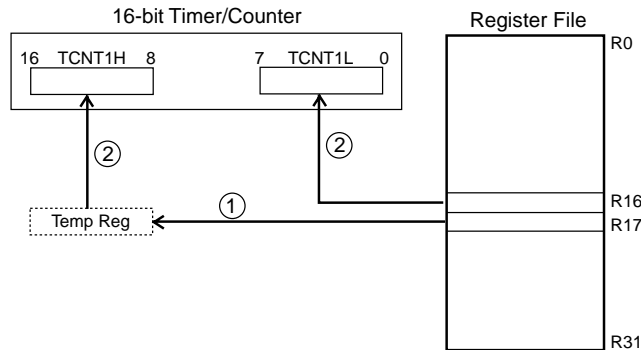
; r17 contains the high byte while r16
; contains the low byte that is to be
; written.

Cycle 1:  out  TCNT1H, r17      ; Writing the high byte to the
                                ; temporary register.

Cycle 2:  out  TCNT1L, r16     ; Writing both the low byte and the
                                ; temporary register into the I/O register.

```

Figure 2. 16-bit I/O Register Write



Note: Circled numbers indicate cycle number.

Note that the read and the write operation differ in the order the high and low I/O register is accessed. If the order is reversed, the high value will be incorrectly read or written.

Solution

To avoid the situations described above, the following macros for the AVR assembler and the IAR C compiler can be used

AVR ASSEMBLER MACROS

```

.macro outw
cli
out @2, @0
out @2-1, @1
sei
.endmacro

```

```

.macro inw
cli
in @2, @0-1
in @1, @0
sei
.endmacro

```

USAGE

```

#include "8515def.inc"
inw r17, r16, TCNT1H ; Reads the counter value (high, low, adr)
outw TCNT1H, r17, r16 ; Writes the counter value (adr, high, low )

```

IAR C MACROS

```
#include <ina90.h>

#define outw( ADDRESS, VAL )\
{\
    _CLI();\
    ADDRESS = VAL;\
    _SEI();\
}

#define inw( ADDRESS, VAL )\
{\
    _CLI();\
    VAL = ADDRESS;\
    _SEI();\
}
```

USAGE

```
#include <io8515.h>

inw( TCNT1, i )           /* Reads the counter value */
outw( TCNT1, i )         /* Writes the counter value */
```

Notes

- Note:
1. The outw and the inw macros uses four instruction cycles which is the same amount of cycles as the ret instruction uses. Doing so the macros will not increase the worst case interrupt response time.
 2. The macros will not work for setting the EEPROM address since the address can not be changed during write operation. This will lead to corruption of the data written.



Atmel Headquarters

Corporate Headquarters

2325 Orchard Parkway
San Jose, CA 95131
TEL (408) 441-0311
FAX (408) 487-2600

Europe

Atmel U.K., Ltd.
Coliseum Business Centre
Riverside Way
Camberley, Surrey GU15 3YL
England
TEL (44) 1276-686-677
FAX (44) 1276-686-697

Asia

Atmel Asia, Ltd.
Room 1219
Chinachem Golden Plaza
77 Mody Road Tsimhatsui
East Kowloon
Hong Kong
TEL (852) 2721-9778
FAX (852) 2722-1369

Japan

Atmel Japan K.K.
9F, Tonetsu Shinkawa Bldg.
1-24-8 Shinkawa
Chuo-ku, Tokyo 104-0033
Japan
TEL (81) 3-3523-3551
FAX (81) 3-3523-7581

Atmel Operations

Atmel Colorado Springs

1150 E. Cheyenne Mtn. Blvd.
Colorado Springs, CO 80906
TEL (719) 576-3300
FAX (719) 540-1759

Atmel Rousset

Zone Industrielle
13106 Rousset Cedex
France
TEL (33) 4-4253-6000
FAX (33) 4-4253-6001

Fax-on-Demand

North America:
1-(800) 292-8635
International:
1-(408) 441-0732

e-mail

literature@atmel.com

Web Site

<http://www.atmel.com>

BBS

1-(408) 436-4309

© Atmel Corporation 1999.

Atmel Corporation makes no warranty for the use of its products, other than those expressly contained in the Company's standard warranty which is detailed in Atmel's Terms and Conditions located on the Company's web site. The Company assumes no responsibility for any errors which may appear in this document, reserves the right to change devices or specifications detailed herein at any time without notice, and does not make any commitment to update the information contained herein. No licenses to patents or other intellectual property of Atmel are granted by the Company in connection with the sale of Atmel products, expressly or by implication. Atmel's products are not authorized for use as critical components in life support devices or systems.

Marks bearing ® and/or ™ are registered trademarks and trademarks of Atmel Corporation.

Terms and product names in this document may be trademarks of others.



Printed on recycled paper.

1493A-10/99/xM